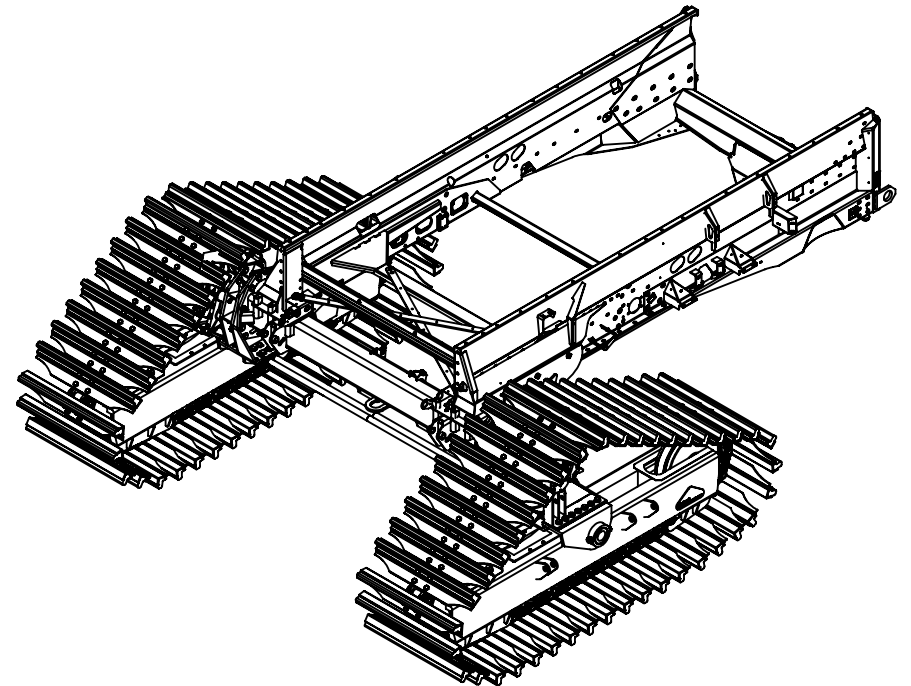
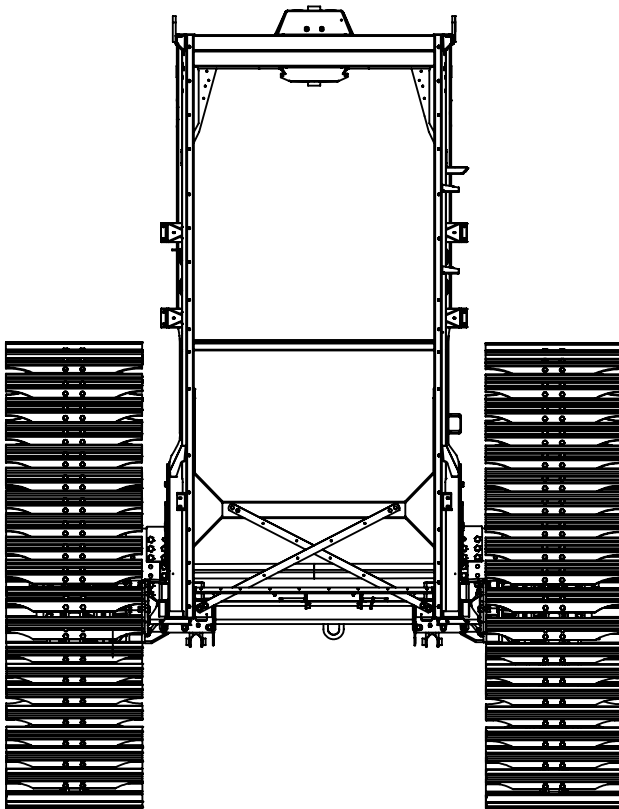
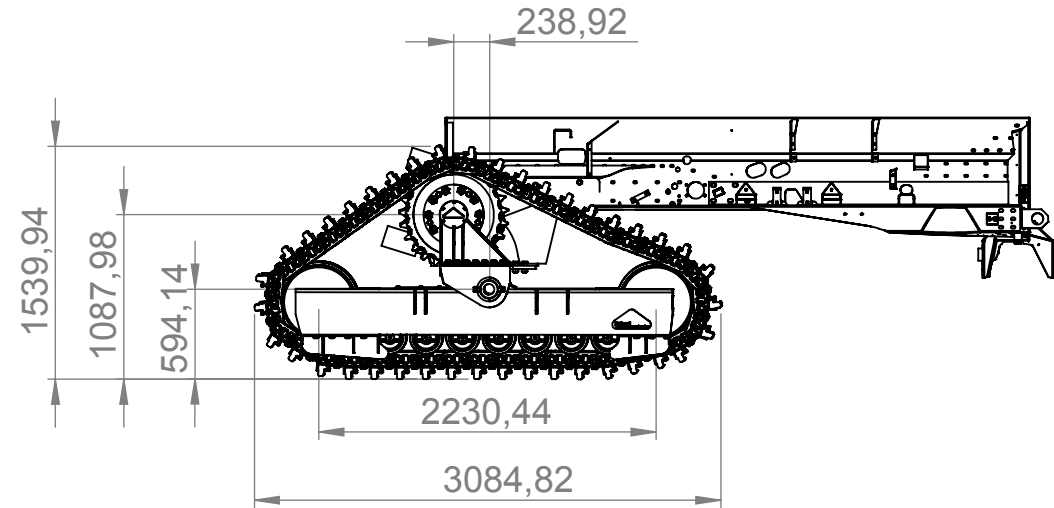
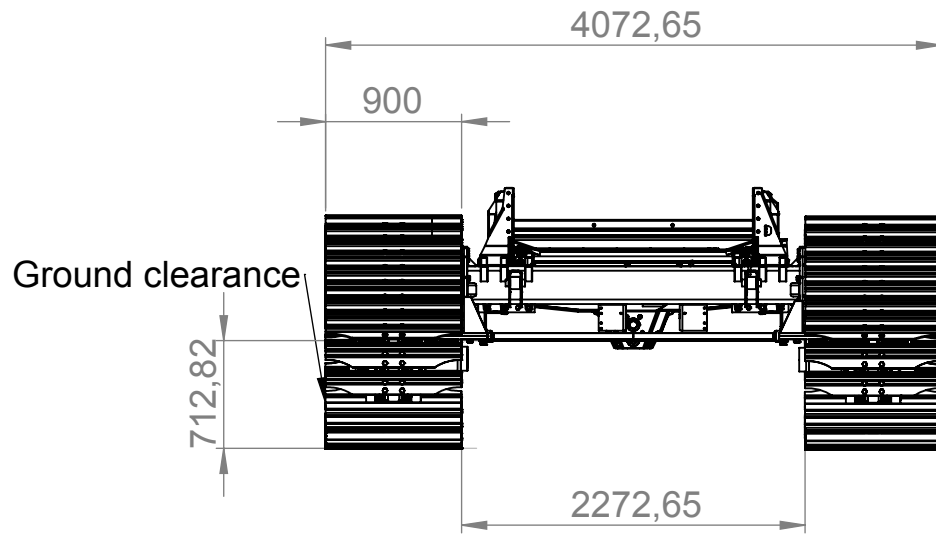


Measures referred on assembly for NH CX8080

Heavy track system
with "U2 Type attachment



Poluzzi Track System Engineering