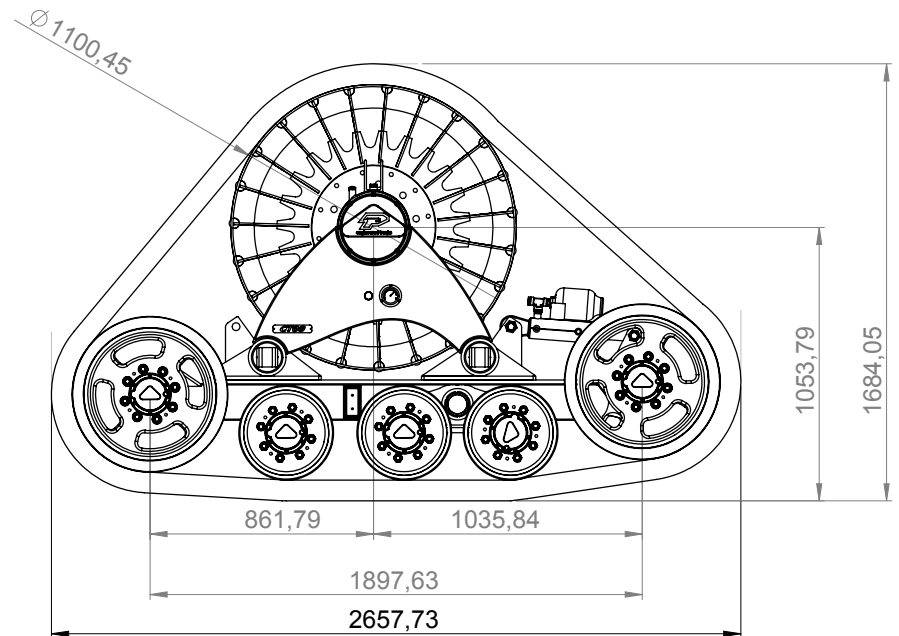
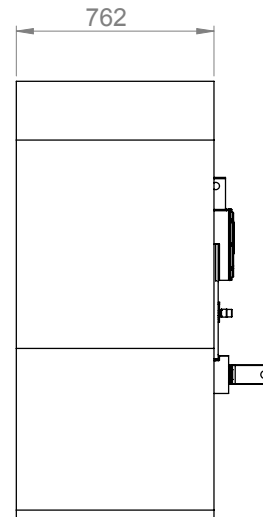
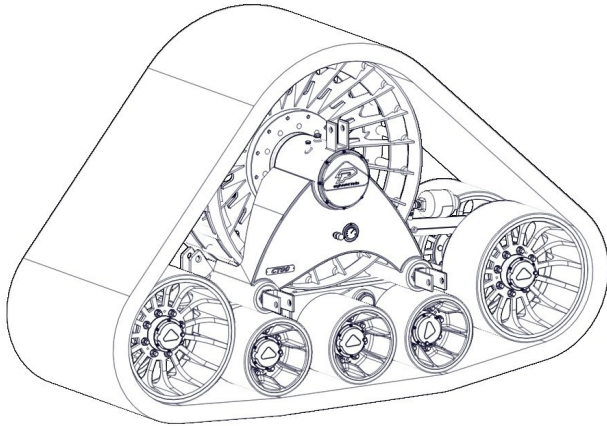


CT0030

Poluzzi Track System Engineering

CT-0030 MK1



CT0030 Rubber tracks :

- **undercarriages** : 3 rollers on tandem
- rubber or polyurethane coated rollers & idlers
- **boogied rollers system** : with mechanical balancers
- **attachment** : direct to machine final drive
- **tensioning** : grease piston with azote shock absorber
- 3 points attachments for easy & quick installation and removal
- **high speed sprocket** : 23 pins
- **rubber track** : GOOD YEAR 762mm ARMORLUG
- adjustable position for central support
- available with open hub
- **addictional equipment** : n°2 spacers, bolts and nuts for fitting on machine , grease tool

model	CT00-30
date	14/05/2014
drawing n°	plz-ct003002a14
weight	1.750 Kgs
G.C.A.	14.364cm ² x 2
belt	GY 30" (762mm)

