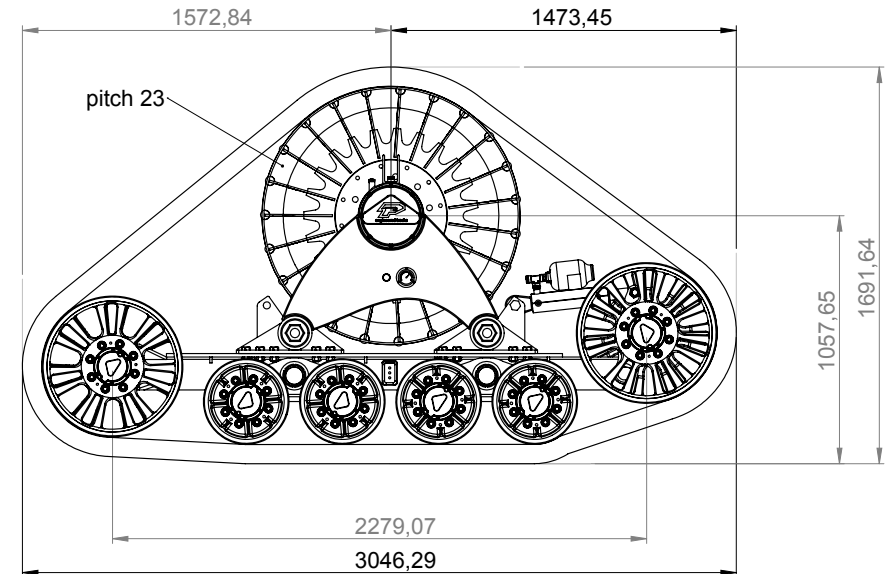
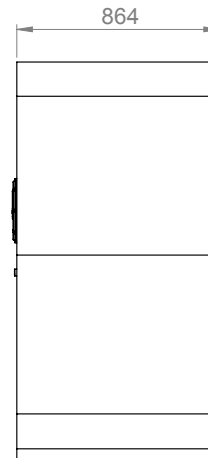
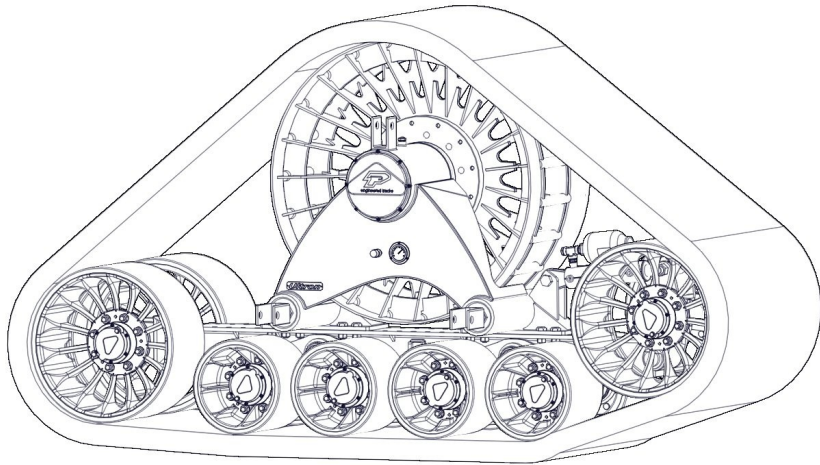


## ULTRON MK 3



### Ultron Rubber tracks :

- **undercarriages** : 4 rollers on tandem
- rubber or polyurethane coated rollers & idlers
- **boogied rollers system** : with mechanical balancers
- **attachment** : direct to machine final drive
- **tensioning** : grease piston with azote shock absorber
- 3 points attachments for easy & quick installation and removal
- **high speed sprocket** : 23 pins
- **rubber track** : BRIDGESTONE 864x46x152,4 IOON
- adjustable position for central support
- available with open hub
- **addictional equipment** : n°2 spacers, bolts and nuts for fitting on machine , grease tool

Poluzzi Track System Engineering

model	ULTRON MK3
date	07/04/2014
drawing n°	plz-ult0mk3a14
G.C.A	19-780 cm <sup>2</sup>
weight	2.200 kgs
belt	bridgestone 34"

