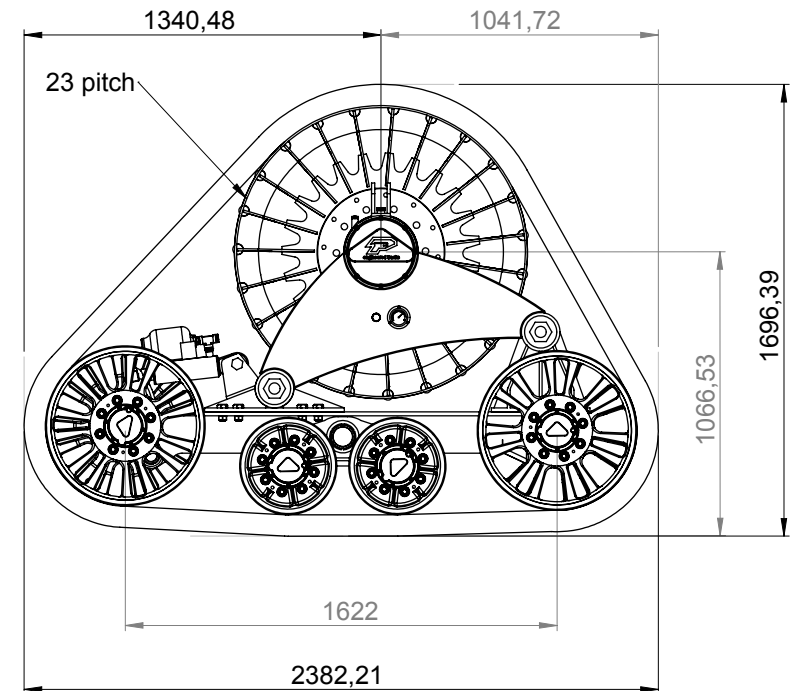
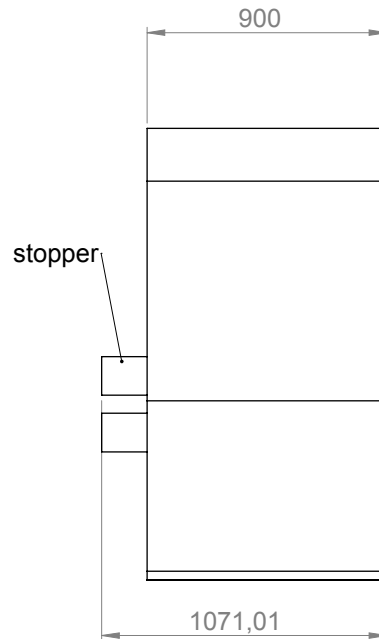
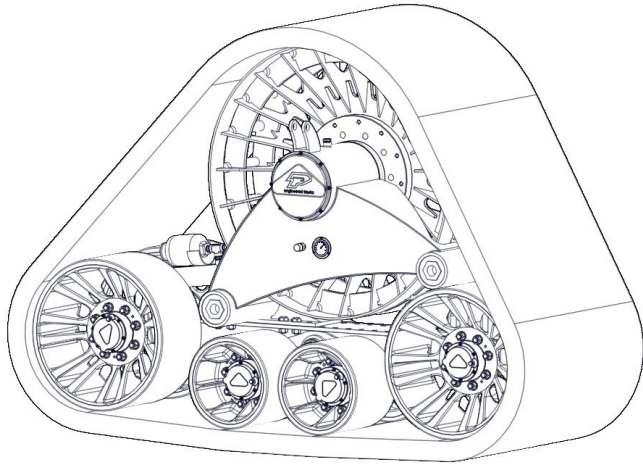


CTR0036

CTR00-36

model	CTR00-36
date	07/04/2014
drawing n°	plz-ctr00361a14
weight	1.650 kgs
G.C.A	15.300 cm ²
belt	GY 36" armorlug



CTR0036 Rubber tracks :

- **undercarriages** : 2 rollers on tandem
- rubber or polyurethane coated rollers & idlers
- **boogied rollers system** : with mechanical balancers
- **attachment** : direct to machine final drive
- **tensioning** : grease piston with azote shock absorber
- 3 points attachments for easy & quick installation and removal
- **high speed sprocket** : 23 pins
- **rubber track** : GOOD YEAR 900mm ARMORLUG
- adjustable position for central support
- available with open hub
- **addictional equipment** : n°2 spacers, bolts and nuts for fitting on machine , grease tool

Poluzzi Track System Engineering

