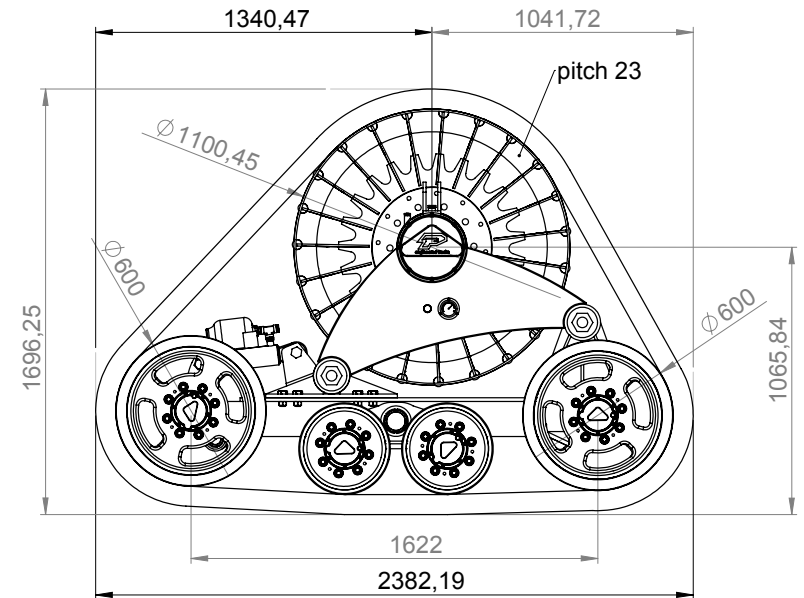
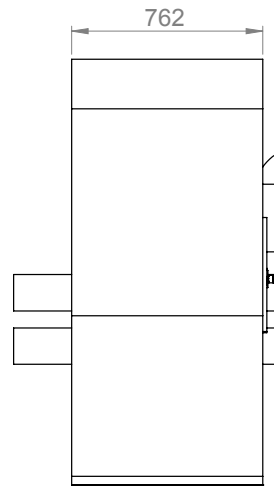
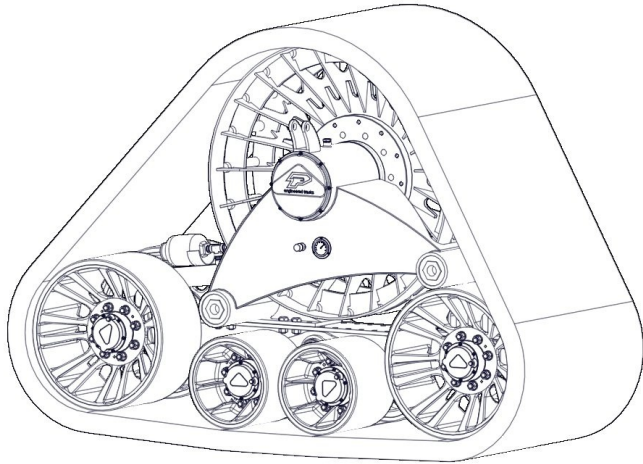


CTR0030

CTR00-30



CTR0030 Rubber tracks :

- **undercarriages** : 2 rollers on tandem
- rubber or polyurethane coated rollers & idlers
- **boogied rollers system** : with mechanical balancers
- **attachment** : direct to machine final drive
- **tensioning** : grease piston with azote shock absorber
- 3 points attachments for easy & quick installation and removal
- **high speed sprocket** : 23 pins
- **rubber track** : GOOD YEAR 762mm ARMORLUG
- adjustable position for central support
- available with open hub
- **addictional equipment** : n°2 spacers, bolts and nuts for fitting on machine , grease tool

model	CTR00-30
date	15/04/2014
G.C.A	12.920 cm ²
weight	1.780 Kgs
belt	30" (762 mm)
drawing n°	plz-ctr0030d2014

Poluzzi Track System Engineering

